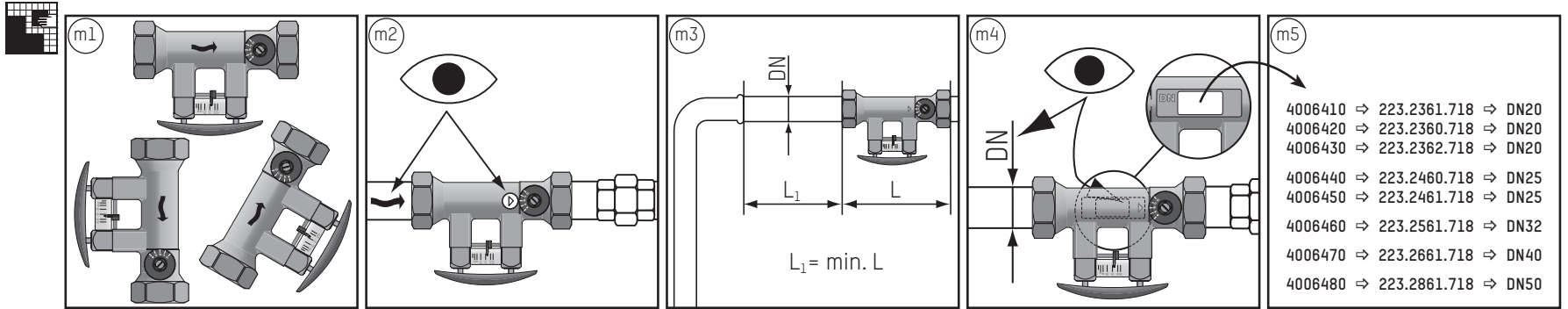


DN	Rp x Rp	L (mm)	
20	3/4" x 3/4"	129	7
25	1" x 1"	152	8
32	1 1/4" x 1 1/4"	161	8
40	1 1/2" x 1 1/2"	173	12
50	2" x 2"	197	12



TB	100°C	
PB	10 bar	

